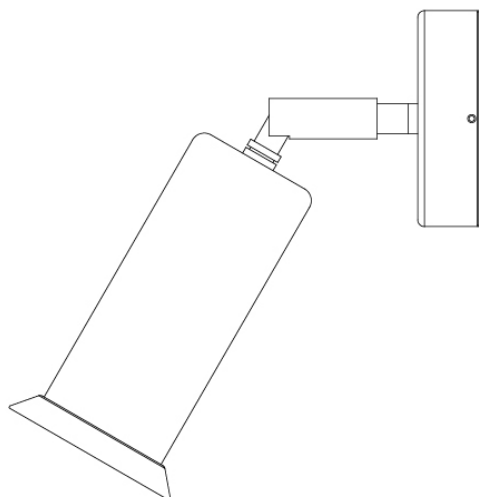


JASPER Wall Light

MLWL403ANTBRS Antique Brass



MATERIAL	Brass
HEIGHT	7.5-14cm 2.95-5.51"
WIDTH DIAMETER	7.5cm 2.95"
LENGTH PROJECTION	9.5-17cm 3.74-6.69"
WEIGHT	0.64KG 1.41lbs
LAMPHOLDER	GU10 x 1
MAX WATTAGE	6.5W x 1
VOLTAGE	220/240v or 110/120v
IP RATING	20
CLASS PROTECTION	I
SHADE	-
FLEX BAR CHAIN LENGT	n/a
CABLE TYPE	-

Fixing Bracket MLWB13 | Antique Brass

*For UL wired lights, fixing bracket may differ

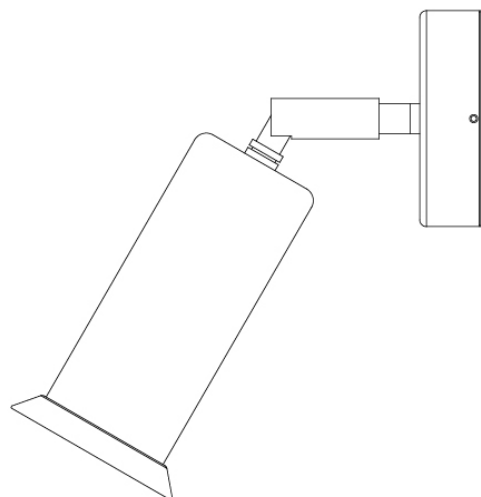


Product Notes:

1) Lamps not included with light fixture. 2) All products are individually hand crafted, therefore may differ slightly within manufacturing tolerances. 3) Please refer to: <http://www.mullanlighting.com/terms> for full list of Terms & Conditions. 4) Cable/Chain can be shortened during installation. 5) Longer Cable/Chain available on request. 6) Additional colour finishes available on request. 7.) Dimensions do not include lamps. 8.) Products wired to UL standards will operate at 110/120v with the appropriate lampholders.

JASPER Wall Light

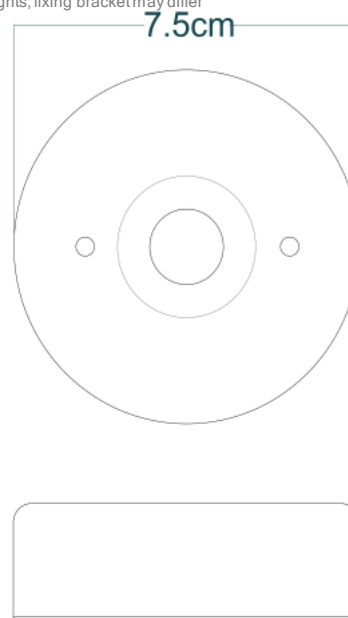
MLWL403ANTSLV Antique Silver



MATERIAL	Brass
HEIGHT	7.5-14cm 2.95-5.51"
WIDTH DIAMETER	7.5cm 2.95"
LENGTH PROJECTION	9.5-17cm 3.74-6.69"
WEIGHT	0.64KG 1.41lbs
LAMPHOLDER	GU10 x 1
MAX WATTAGE	6.5W x 1
VOLTAGE	220/240v or 110/120v
IP RATING	20
CLASS PROTECTION	I
SHADE	-
FLEX BAR CHAIN LENGT	n/a
CABLE TYPE	-

Fixing Bracket MLWB13 | Antique Silver

*For UL wired lights, fixing bracket may differ

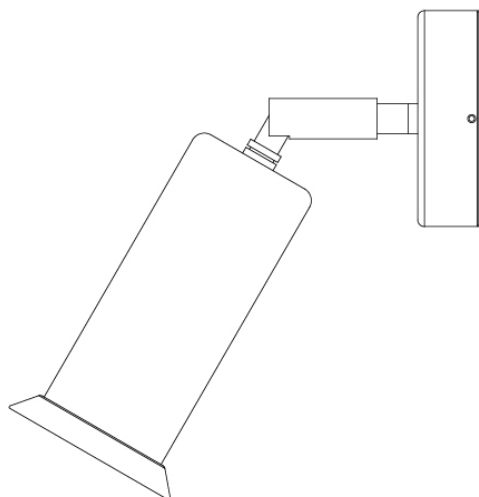


Product Notes:

1) Lamps not included with light fixture. 2) All products are individually hand crafted, therefore may differ slightly within manufacturing tolerances. 3) Please refer to: <http://www.mullanlighting.com/terms> for full list of Terms & Conditions. 4) Cable/Chain can be shortened during installation. 5) Longer Cable/Chain available on request. 6) Additional colour finishes available on request. 7.) Dimensions do not include lamps. 8.) Products wired to UL standards will operate at 110/120v with the appropriate lampholders.

JASPER Wall Light

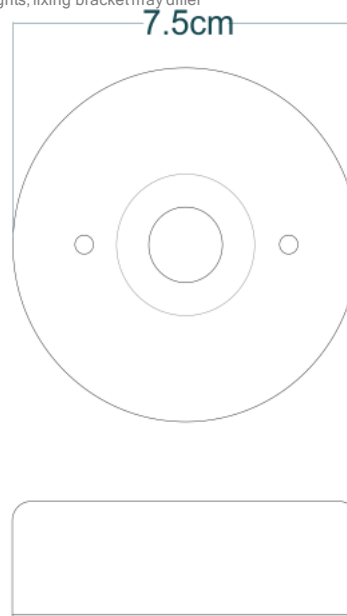
MLWL403POLBRS Polished Brass



MATERIAL	Brass
HEIGHT	7.5-14cm 2.95-5.51"
WIDTH DIAMETER	7.5cm 2.95"
LENGTH PROJECTION	9.5-17cm 3.74-6.69"
WEIGHT	0.64KG 1.41lbs
LAMPHOLDER	GU10 x 1
MAX WATTAGE	6.5W x 1
VOLTAGE	220/240v or 110/120v
IP RATING	20
CLASS PROTECTION	I
SHADE	-
FLEX BAR CHAIN LENGT	n/a
CABLE TYPE	-

Fixing Bracket MLWB13 | Polished Brass

*For UL wired lights, fixing bracket may differ

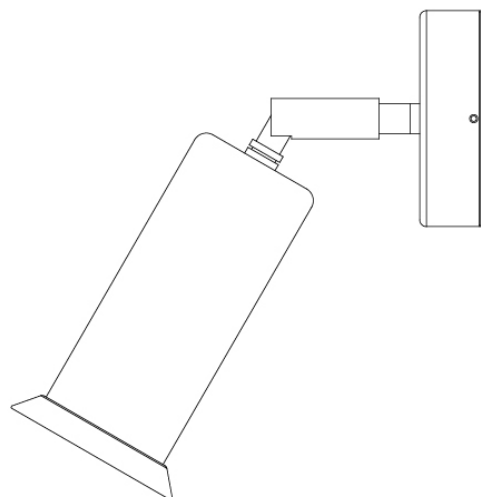


Product Notes:

1) Lamps not included with light fixture. 2) All products are individually hand crafted, therefore may differ slightly within manufacturing tolerances. 3) Please refer to: <http://www.mullanlighting.com/terms> for full list of Terms & Conditions. 4) Cable/Chain can be shortened during installation. 5) Longer Cable/Chain available on request. 6) Additional colour finishes available on request. 7.) Dimensions do not include lamps. 8.) Products wired to UL standards will operate at 110/120v with the appropriate lampholders.

JASPER Wall Light

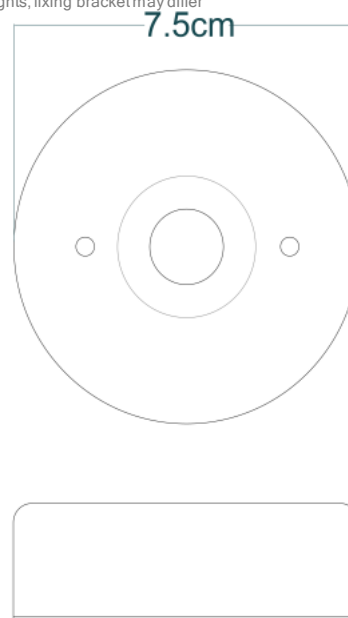
MLWL403SATBRS Satin Brass



MATERIAL	Brass
HEIGHT	7.5-14cm 2.95-5.51"
WIDTH DIAMETER	7.5cm 2.95"
LENGTH PROJECTION	9.5-17cm 3.74-6.69"
WEIGHT	0.64KG 1.41lbs
LAMPHOLDER	GU10 x 1
MAX WATTAGE	6.5W x 1
VOLTAGE	220/240v or 110/120v
IP RATING	20
CLASS PROTECTION	I
SHADE	-
FLEX BAR CHAIN LENGT	n/a
CABLE TYPE	-

Fixing Bracket MLWB13 | Satin Brass

*For UL wired lights, fixing bracket may differ



Product Notes:

1) Lamps not included with light fixture. 2) All products are individually hand crafted, therefore may differ slightly within manufacturing tolerances. 3) Please refer to: <http://www.mullanlighting.com/terms> for full list of Terms & Conditions. 4) Cable/Chain can be shortened during installation. 5) Longer Cable/Chain available on request. 6) Additional colour finishes available on request. 7.) Dimensions do not include lamps. 8.) Products wired to UL standards will operate at 110/120v with the appropriate lampholders.