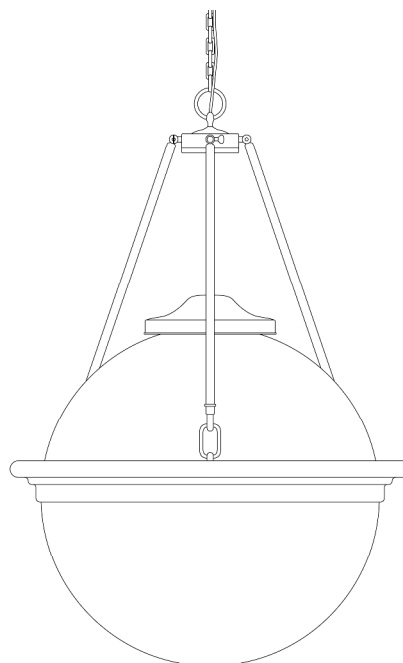


## ARDEE Chandelier

MLF251ANTBRS    Antique Brass



MATERIAL	Brass   Glass
HEIGHT	75cm   29.53"
WIDTH   DIAMETER	50cm   19.69"
LENGTH   PROJECTION	n/a
WEIGHT	5.1KG   11.24lbs
LAMPHOLDER	E27 x 1
MAX WATTAGE	40W x 1
VOLTAGE	220/240v
IP RATING	20
CLASS PROTECTION	I
SHADE	GL044A
FLEX   BAR   CHAIN LENGT	100cm   40"
CABLE TYPE	MLCA036   3 Core Round   Brown   PVC

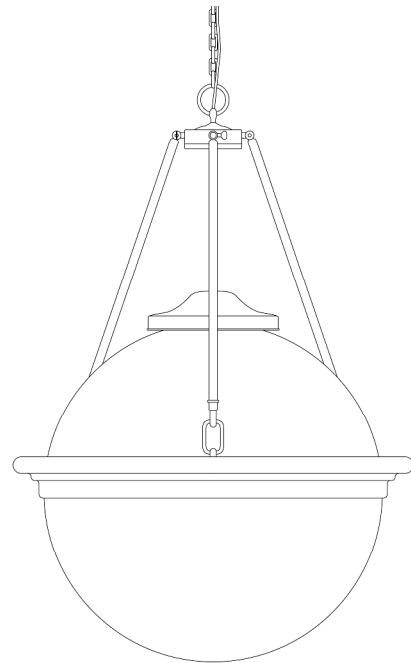
Fixing Bracket    MLROSE05HOOK | Antique Brass

**Product Notes:**

1) Lamps not included with light fixture. 2) All products are individually hand crafted, therefore may differ slightly within manufacturing tolerances. 3) Please refer to: <http://www.mullanlighting.com/terms> for full list of Terms & Conditions. 4) Cable/Chain can be shortened during installation. 5) Longer Cable/Chain available on request. 6) Additional colour finishes available on request. 7.) Dimensions do not include lamps. 8.) Products wired to UL standards will operate at 110/120v with the appropriate lampholders.

## ARDEE Chandelier

MLF251ANTSLV Antique Silver



MATERIAL	Brass   Glass
HEIGHT	75cm   29.53"
WIDTH   DIAMETER	50cm   19.69"
LENGTH   PROJECTION	n/a
WEIGHT	5.1KG   11.24lbs
LAMPHOLDER	E27 x 1
MAX WATTAGE	40W x 1
VOLTAGE	220/240v
IP RATING	20
CLASS PROTECTION	I
SHADE	GL044A
FLEX   BAR   CHAIN LENGT	100cm   40"
CABLE TYPE	MLCA013   3 Core Round   Clear   PVC

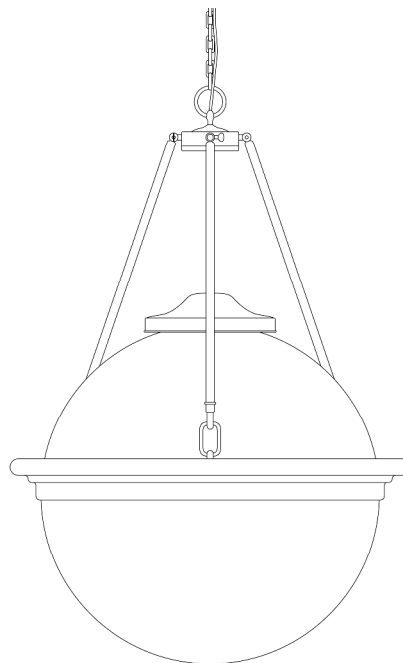
Fixing Bracket MLROSE05HOOK | Antique Silver

Product Notes:

1) Lamps not included with light fixture. 2) All products are individually hand crafted, therefore may differ slightly within manufacturing tolerances. 3) Please refer to: <http://www.mullanlighting.com/terms> for full list of Terms & Conditions. 4) Cable/Chain can be shortened during installation. 5) Longer Cable/Chain available on request. 6) Additional colour finishes available on request. 7.) Dimensions do not include lamps. 8.) Products wired to UL standards will operate at 110/120v with the appropriate lampholders.

## ARDEE Chandelier

MLF251POLBRS Polished Brass



MATERIAL	Brass   Glass
HEIGHT	75cm   29.53"
WIDTH   DIAMETER	50cm   19.69"
LENGTH   PROJECTION	n/a
WEIGHT	5.1KG   11.24lbs
LAMPHOLDER	E27 x 1
MAX WATTAGE	40W x 1
VOLTAGE	220/240v
IP RATING	20
CLASS PROTECTION	I
SHADE	GL044A
FLEX   BAR   CHAIN LENGT	100cm   40"
CABLE TYPE	MLCA012   3 Core Round   Gold   PVC

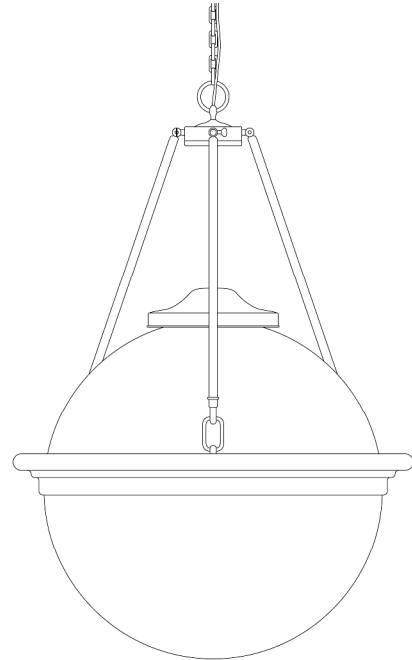
Fixing Bracket MLROSE05HOOK | Polished Brass

Product Notes:

1) Lamps not included with light fixture. 2) All products are individually hand crafted, therefore may differ slightly within manufacturing tolerances. 3) Please refer to: <http://www.mullanlighting.com/terms> for full list of Terms & Conditions. 4) Cable/Chain can be shortened during installation. 5) Longer Cable/Chain available on request. 6) Additional colour finishes available on request. 7.) Dimensions do not include lamps. 8.) Products wired to UL standards will operate at 110/120v with the appropriate lampholders.

## ARDEE Chandelier

MLF251SATBRS Satin Brass



MATERIAL	Brass   Glass
HEIGHT	75cm   29.53"
WIDTH   DIAMETER	50cm   19.69"
LENGTH   PROJECTION	n/a
WEIGHT	5.1KG   11.24lbs
LAMPHOLDER	E27 x 1
MAX WATTAGE	40W x 1
VOLTAGE	220/240v
IP RATING	20
CLASS PROTECTION	I
SHADE	GL044A
FLEX   BAR   CHAIN LENGT	100cm   40"
CABLE TYPE	MLCA012   3 Core Round   Gold   PVC

Fixing Bracket MLROSE05HOOK | Satin Brass